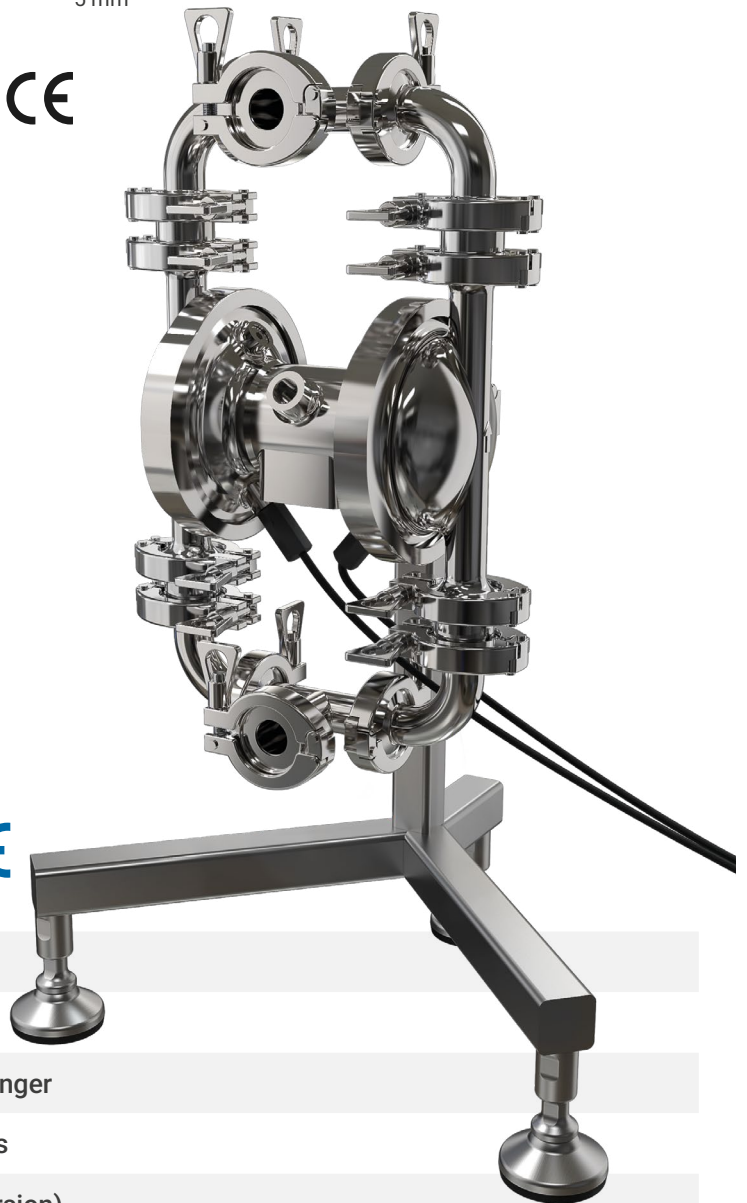


SANIBOXER - 01

Suction/delivery connections	BS 4825 1" Clamp
Air fitting	3/8" f BSPP
Max flow rate*	100 l/min
Max air supply pressure	8 bar
Max head*	80 m
Max suction from negative head - dry running*	2,5 m
Max suction from negative head - with pump on	9,5 m
Max diameter of suspended solids	5 mm

* The value depends on the pump configuration.



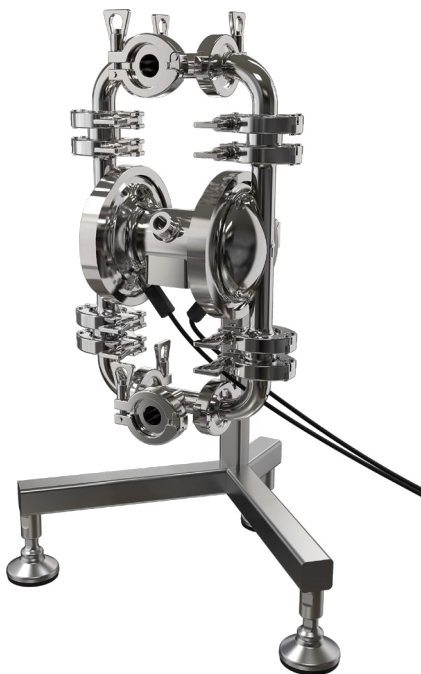
Certifications:



- Special Diaphragms with ANTI-DEPOSIT surface
- Mould cast main block consists on a single piece
- Patented stall-prevention coaxial pneumatic exchanger
- Stainless steel stand for quick emptying operations
- Anti-vibration feet (3A-certified for SANIBOXER version)
- Eccentric valves (in AISIBOXER – SANIBOXER-03 pumps)
- Rotating connections
- Sensors to detect diaphragm rupture (standard in SANIBOXER version)
- Compatible with CIP, COP and SIP methods

SANIBOXER - 01

Specifications and types



AISI 316 L

SANIBOXER-01



Maximum Dimensions

Height	663 mm
Width	436 mm
Depth	352 mm



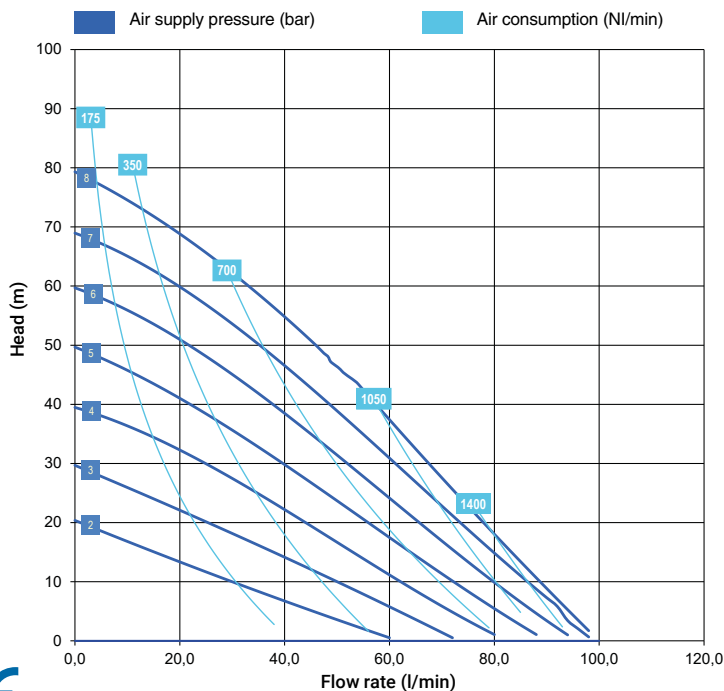
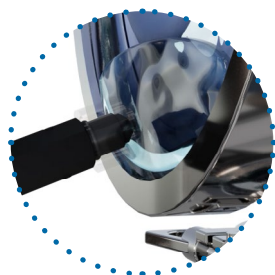
Const. mat. (casing and manifolds) and net weight

AISI 316 L**	16 Kg
	Temp. 3°C min.
	95°C max*

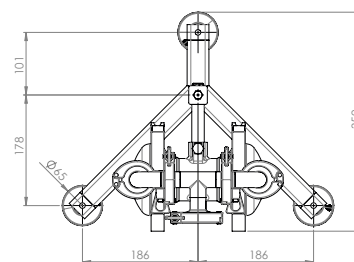
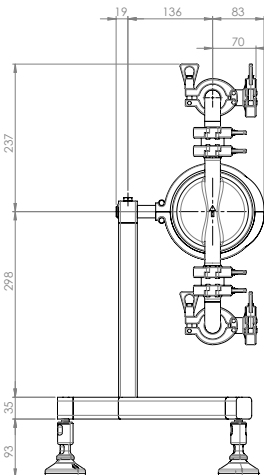
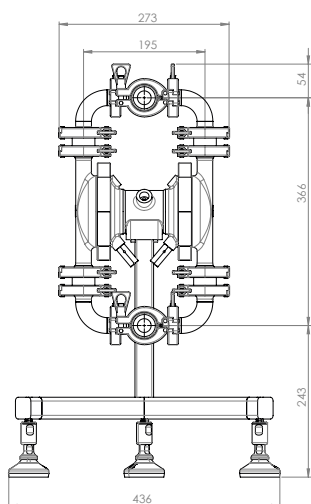
* Warning on process temperatures: for washing and sanitisation, the pumps can be subjected to CIP, COP and SIP with temperatures up to 130 C.
 ** Mechanically polished - surface finish <0.8 µm

Optical sensors to detect diaphragm rupture

In case of rupture, the sensors warn the operator and automatically stop pump operation via a solenoid valve.



Certifications:



* The curves and performances refer to pumps with submerged suction and free delivery outlet, with water at 20°C and vary according to the composition materials.