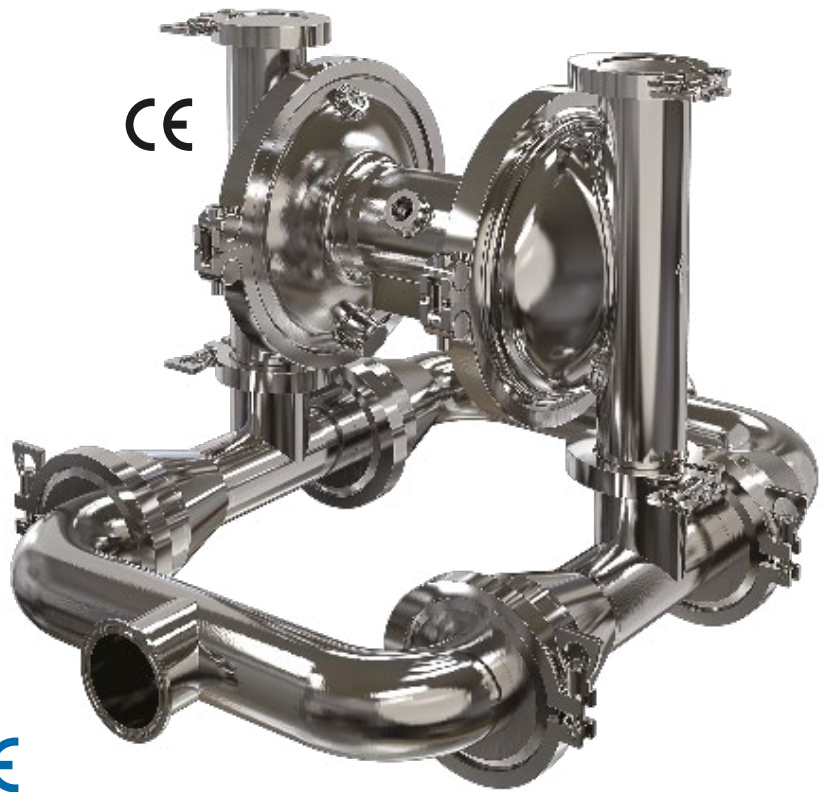


AISIFLOW - 03

Suction/delivery connections	BS 4825 2"1/2 Clamp
Max flow rate*	320 l/min
Max air supply pressure	4 bar
Max head*	40 m
Max suction from negative head - dry running*	3,5 m
Max diameter suspended particles	45 mm
Max particle length	270 mm

* The value depends on the pump configuration.



Certifications:



- Product designed and built in Italy
- PATENTED anti-stall pneumatic circuit
- Operates with NON-lubricated air
- SELF-PRIMING
- It supports dry running
- Possibility of adjusting the operating speed
- Versatility of use
- Suitable for handling fluids with high viscosity and for heavy applications
- Possibility of handling fluids with suspended solids
- Suitable for continuous service

AISIFLOW - 03

Specifications and types



AISI 316 L

AISIFLOW - 03



Maximum Dimensions

Height	433,2 mm
Width	491,2 mm
Depth	650,9 mm



Constr. mat. (casing and manifolds) and net weight

AISI 316 L*	30 Kg
	Temp. 3°C min.
	95°C max

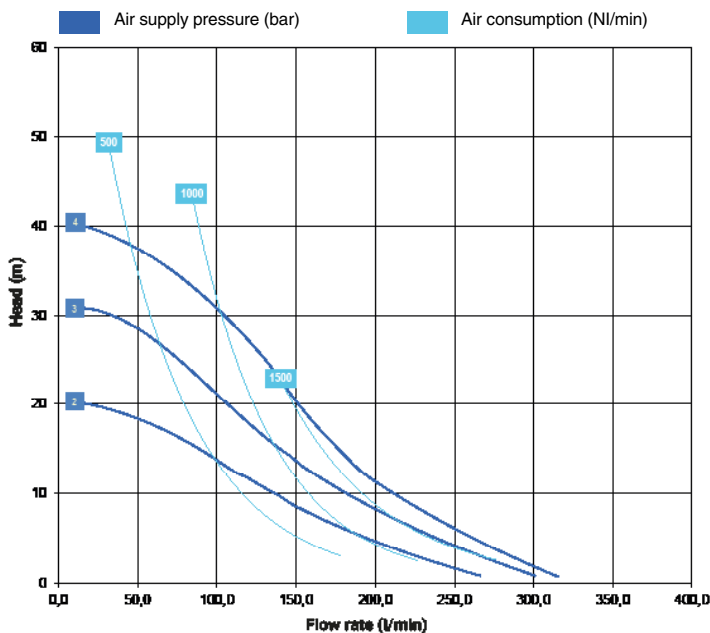
*Mechanically polished - surface finish <0.8 µm

Flap valves

Clapet valves open and close allowing **complete passage** of the suspended particles and (obviously) the non-return of the fluid itself due to the forced movement position.



Certifications:



* The curves and performances refer to pumps with submerged suction and free delivery outlet, with water at 20°C and vary according to the composition materials.

